

Universal test head manipulator **MP 936**

*plus  
flex  
basic*

*we can **handle** it*



**Load capacity 450 kg  
(990 lbs)**

**Modular design allows  
perfectly customized  
configuration**

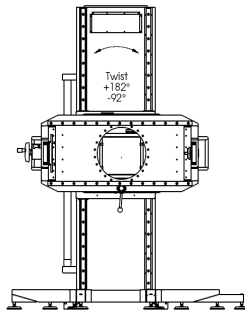
**Optional motorized  
motions**

**Later addition of moto-  
rization or conversion  
of swing on site**

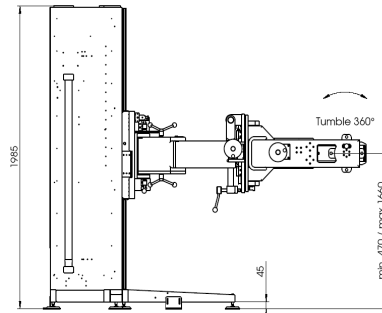
**Self-locking electric  
drive**

## Test head manipulator MP 936 basic

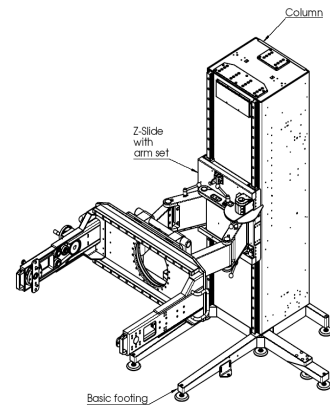
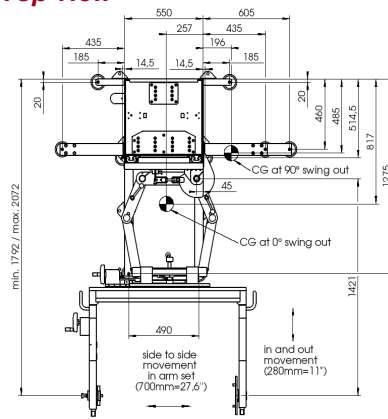
Front view



Side view



Top view



### MICROHANDLING

stands for over 20 years of experience in the field of test handlers and test head manipulators providing German quality worldwide.

### Technical Data:

Teradyne MicroFlex

Range of motions	5 + 3	<b>Weight:</b>	
<b>Linear motions:</b>		Weight capacity	450 kg (990 lbs)
Side to side in arm set	700 mm (27.55")	Manipulator	
In and out	280 mm (11.02")	empty weight	1100 kg (2400 lbs)
Vertical travel	1190 mm (46.85")	<b>Dimensions:</b>	
<b>Rotary motions:</b>		Footprint	1275 x 1590 mm (50.20" x 62.60")
Tumble	360°	Height	1985 mm (78.15")
Twist CW	180° (+/- 2°)	<b>Motorized version (optional):</b>	
Twist CCW	90° (+/- 2°)	Voltage/frequency	110-240 V; 50-60 Hz
Swing	90°	Rated current	5.5/3.2 A
Theta	free floating +/- 20°	Speed of motion	
<b>Setup adjustments:</b>		Vertical travel	0.8/0.1 m/min
Arm sag	+/- 5°		
Theta compliance	+/- 2°		

Floor load diagrams and layout proposals on demand.

