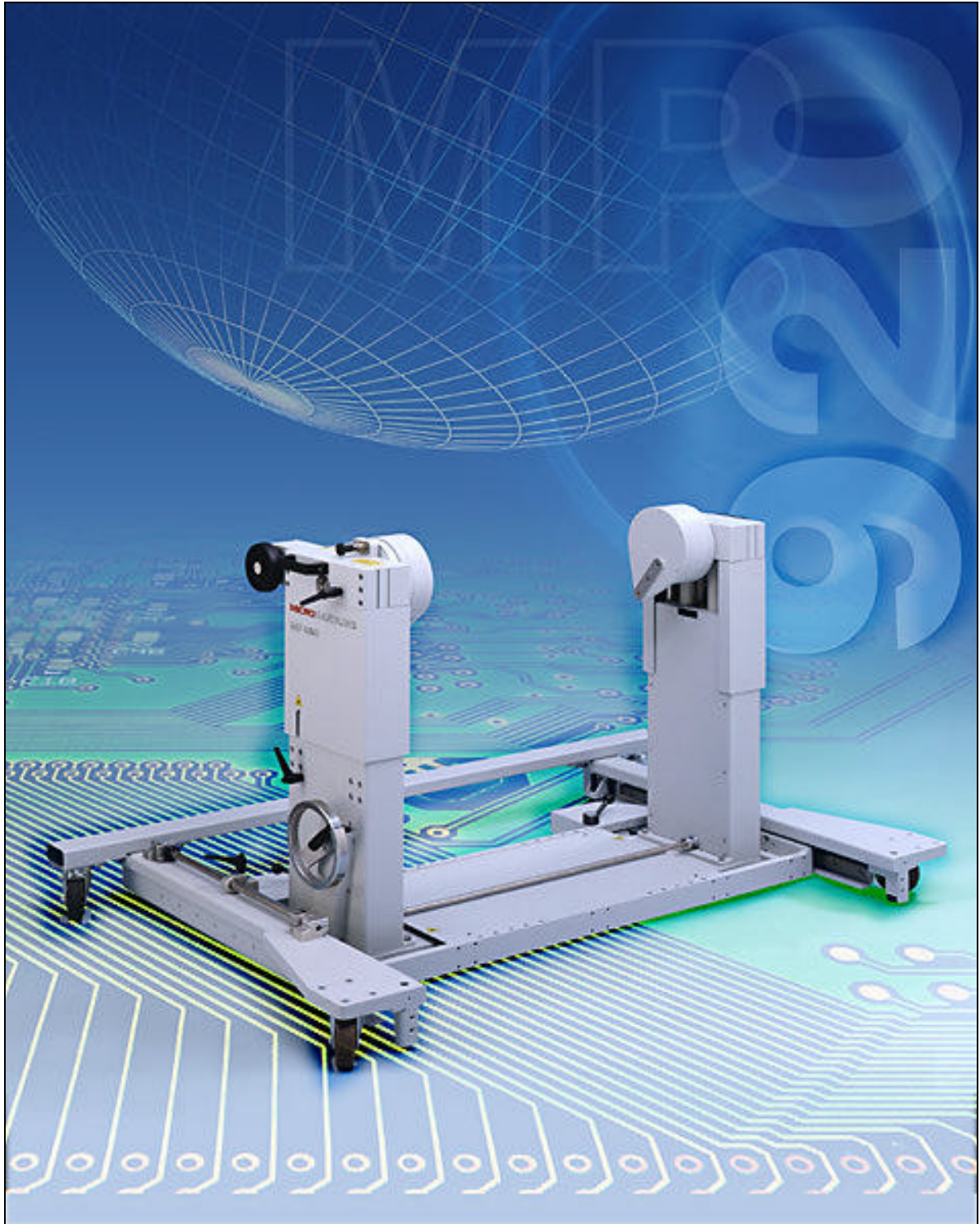


MICROHANDLING

we can handle it

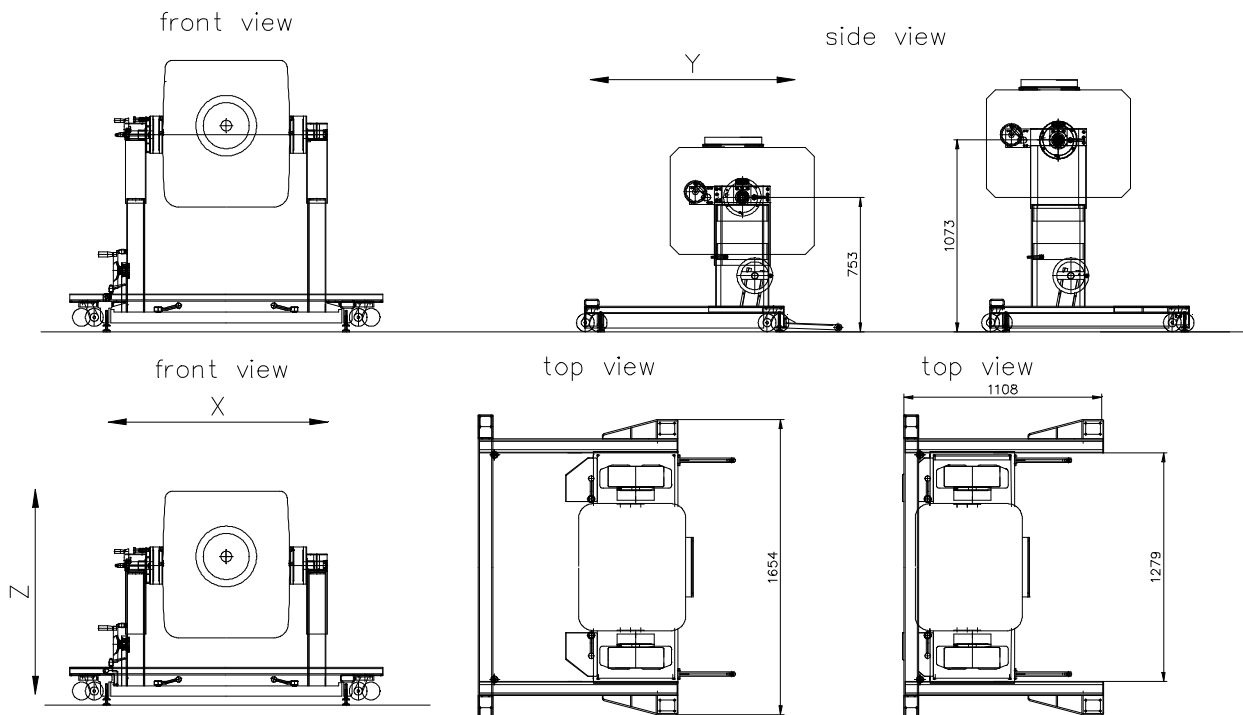
MP 920

Test Head Manipulator
for Handler Docking



Test Head Manipulator MP920 Trolley

This manipulator is designed to simplify Test Head positioning and docking to Test Handlers. Its fine adjusting mechanism allows a high degree of freedom in the horizontal plane, yet provides a rigid platform with a small footprint.



Features:

- ✓ Easy positioning of Test Heads to Handlers.
- ✓ Free motion in the X-Y plane.
- ✓ Long vertical movement path along the Z-axis.
- ✓ In using a unique modular design, it provides excellent compatibility to a wide variety of Test Heads and Handlers.
- ✓ Minimal friction due to the use of high quality bearing materials.
- ✓ Compact and rigid design.
- ✓ Saves space by footprint optimization.
- ✓ Easy service access to Test Head.
- ✓ Usable as Service- Manipulator.
- ✓ No need to level the Manipulator (haptic axis and conductive rollers)

Technical Data:

- Degrees of Freedom 6
- Linear Motion
 - Service axis: Y = 500mm
 - Z = 320mm
 - Fine adjusting: X = ± 40mm
 - Y = ± 20mm
- Rotation about Y-axis ± 1°
- Tilt about X- axis ± 90°
- Tumble about Z- axis ± 7,1°
- Max. Test Head weight 600kg

Subject to technical changes
Patent pending
© 2001

MICROHANDLING Handhabungsgeräte GmbH
Ing.-Anton-Kathrein-Str. 2
83101 Rohrdorf/Thansau, Germany
Tel.: +49 (0)8031 / 27 38-0
Fax.: +49 (0)8031 / 27 38-39
Web : www.microhandling.com

MICROHANDLING SGP Asia Pte Ltd
#01-01 Tagore Industrial Building
6 Tagore Drive, Singapore 787623
Tel.: +65 6554 7234
Fax.: +65 6554 0280
Email : sales@microhandling.com.sg