

Probe dedicated manipulator **MP-4**
probe

we can **handle** it



*Ideal for test heads
up to 450 kg (992 lbs)*

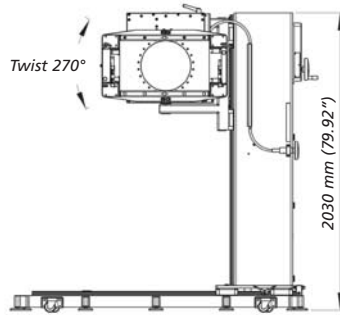
*Fast set up and
convenient operation*

*Unmatched precision
and repeatability of
motions*

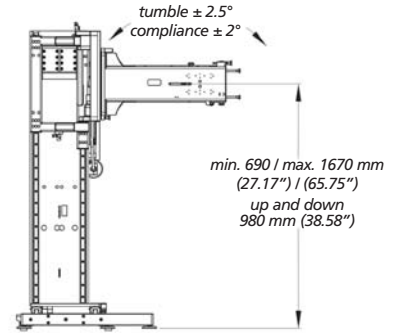
Index Position Lock

Probe dedicated manipulator MP-4 probe

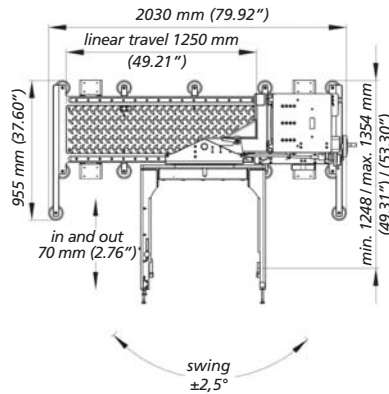
Front view



Side view



Top view



Available test system configurations include:
Teradyne J750 (512 / 1024 pin)

Technical Data:

Range of motions:

Linear motions:

Linear travel on rails	1250 mm (49.21")
In and out	70 mm (2.76")
Vertical travel	980 mm (38.58")

Rotary motions:

Twist	270°
Tumble	+/- 2.5°
Swing	+/- 2.5°

Compliance:

Tumble	+/- 2.0°
Twist	+/- 2.0°
Theta	+/- 2.0°

Weight:

Load capacity	450 kg (992 lbs)
Manipulator empty weight	940 kg (2073 lbs)

Dimensions:

Footprint	955 x 2030 mm (37.60" x 79.92")
Bring-in height	2044 mm (80.47")

Floor load diagrams and layout proposals on demand.



MICROHANDLING
stands for over 20
years of experience
in the field of test
handlers and test
head positioners
providing German
quality worldwide.

MICROHANDLING
MP-4
probe