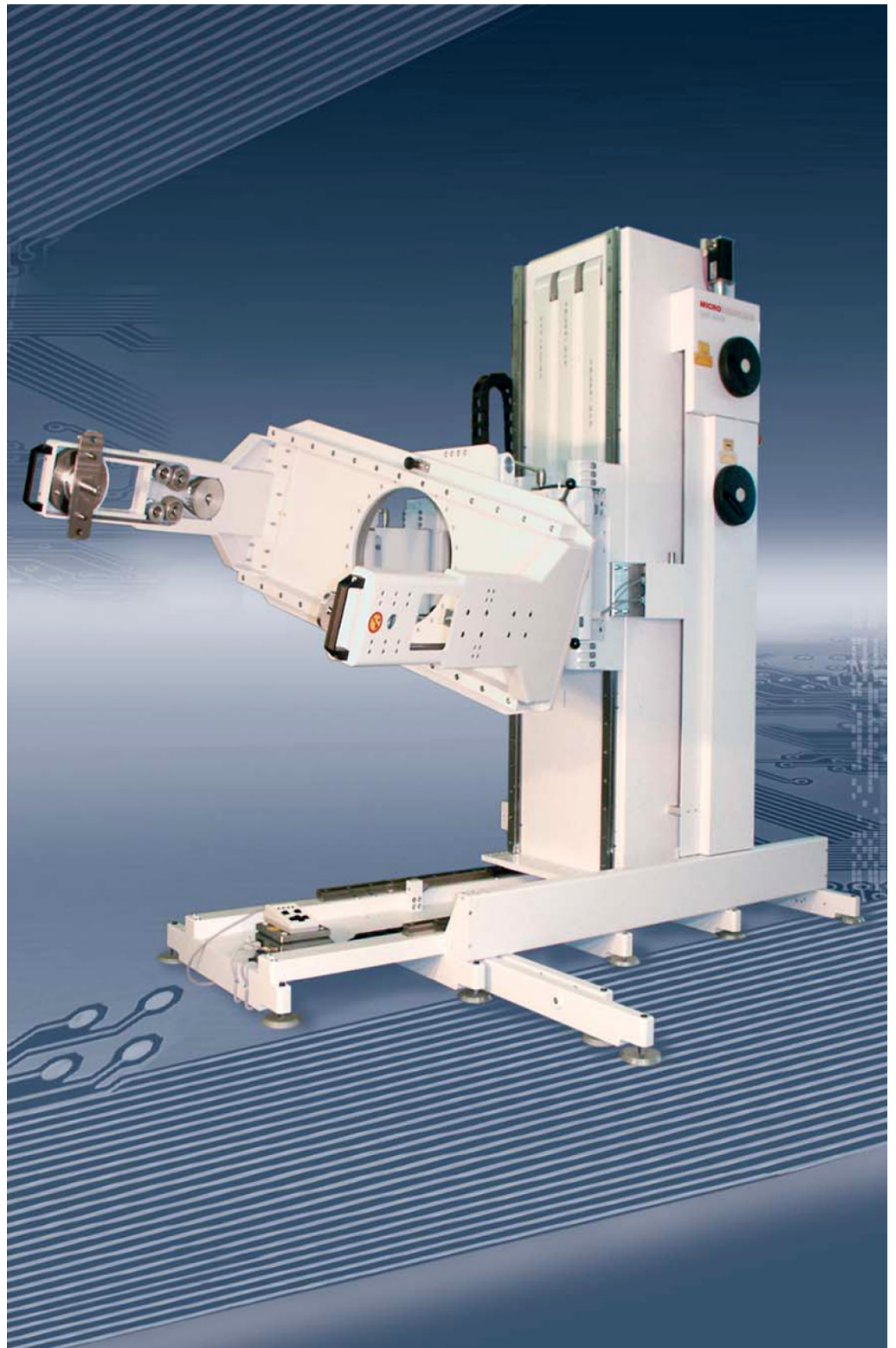


Universal test head manipulator **MP 936**

plus
flex
basic

we can *handle* it



Load capacity 450 kg
(990 lbs)

Motorized vertical
travel

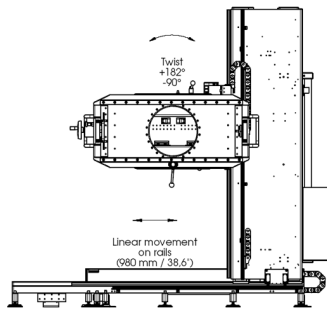
Motorized linear
travel on rails

Self-locking electric
drive

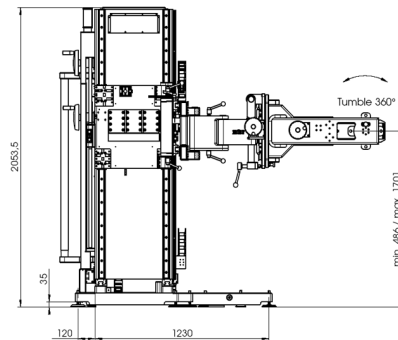
Strictly linear docking
motion

Test head manipulator MP 936 plus

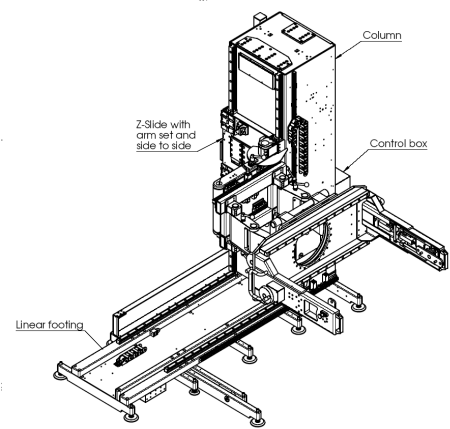
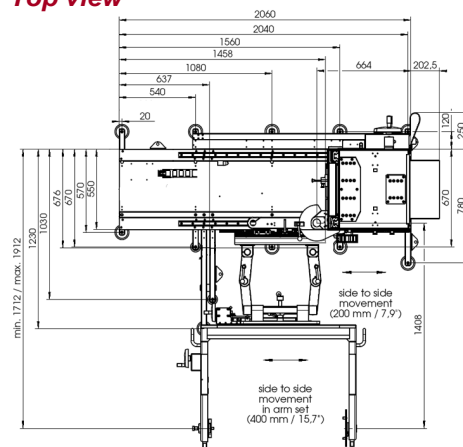
Front view



Side view



Top view



Technical Data:

Teradyne MicroFlex

Range of motions	6 + 3	Weight:	
Linear motions:		Weight capacity	450 kg (990 lbs)
Side to side in arm set	400 mm (15.75")	Manipulator	
Side to side	200 mm (7.87")	empty weight	1500 kg (3300 lbs)
Linear travel on rails	980 mm (38.58")	Dimensions:	
In and out	280 mm (11.02")	Footprint	1480 x 2262 mm (58.27 x 89.05")
Vertical travel	1215 mm (47.83")	Height	2054 mm (80.87")
Rotary motions:		Motorized version:	
Tumble	360°	Voltage/frequency	110-240 V; 50-60 Hz
Twist CW	180° (+/- 2°)	Rated current	5.5/3.2 A
Twist CCW	90° (+/- 2°)	Speed of motion	
Swing	90°	Vertical travel	0.8/0.1 m/min
Theta	free floating +/- 20°	Linear travel on rails	0.8/0.1 m/min
Setup adjustments:			
Arm sag	+/- 5°		
Theta compliance	+/- 2°		

Floor load diagrams and layout proposals on demand.



Phone +49 (0)8031 2738-0
 Fax +49 (0)8031 2738-36
 Email sales@microhandling.com
 Web www.microhandling.com

MICROHANDLING

stands for over 20 years of experience in the field of test handlers and test head manipulators providing German quality worldwide.