

# MICROHANDLING

*we can handle it*

## MP 925

Universal Test Head Manipulator  
For Handler and Prober Docking



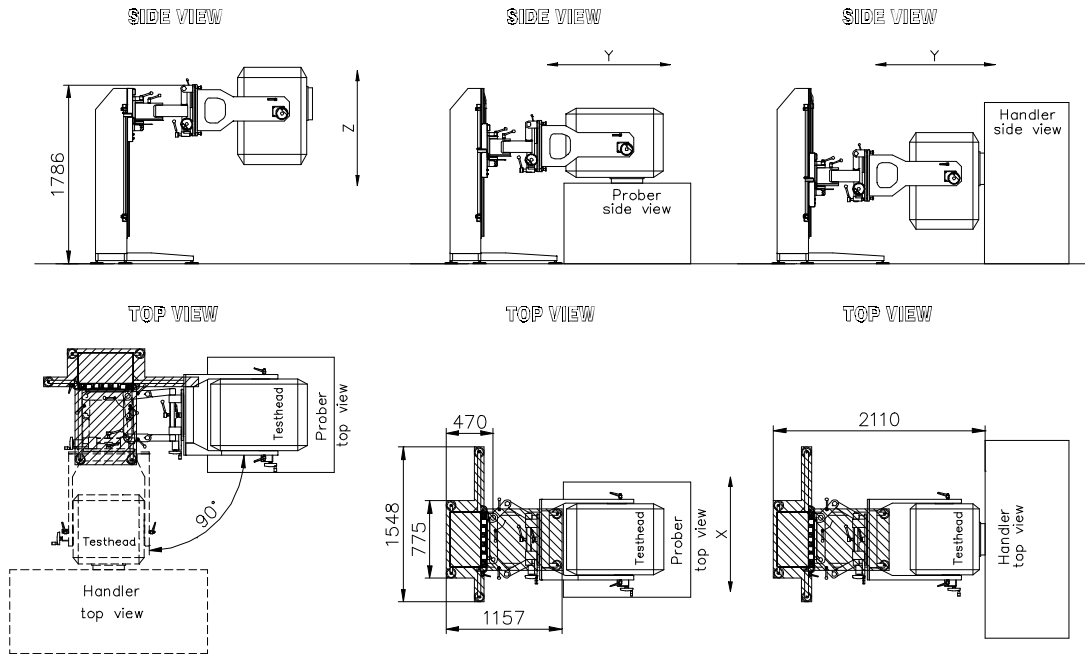
**Optimized footprint for minimum floor space requirement**

**Easy operation through patented arm system**

**Maximum Test Head weight of up to 425 kg**

# Test Head Manipulator MP925

This Manipulator is optimized for manual positioning and docking of Test Heads to Test Handlers and Waferprobers. Easy positioning and adjustment through the patented arm system, as well as the stable and rigid design with a small footprint, are unique characteristics of this system.



## Features:

- ✓ Easy positioning of Test Heads to Waferprobers and Handlers
- ✓ Free motion in the X-Y plane
- ✓ Long vertical movement path along the Z-axis
- ✓ Using a unique modular design, it provides excellent compatibility to a wide variety of Test Heads, Handlers and Waferprobers
- ✓ Compensation of the Test Head weight on the Test System is adjustable
- ✓ Minimal friction due to the use of high quality bearing materials
- ✓ Compact and rigid design
- ✓ Low space requirement through footprint optimization
- ✓ Easy service access to Test Head
- ✓ Customer specific solutions on demand

## Technical Data:

- |                         |                   |
|-------------------------|-------------------|
| • Degrees of Freedom    | 6                 |
| • Linear Motion         | X = ± 300 mm max. |
|                         | Y = ± 145 mm max. |
|                         | Z = 945 mm max.   |
| • Rotation about Y-axis | 180°              |
| • Tilt about X-axis     | ± 90°             |
| • Max. Test Head weight | 425 kg            |

Subject to technical changes  
Patent pending  
© 2001

**MICROHANDLING** Handhabungsgeräte GmbH  
Ing.-Anton-Kathrein-Str. 2  
83101 Rohrdorf/Thansau, Germany  
Tel.: +49 (0)8031 / 27 38-0  
Fax.: +49 (0)8031 / 27 38-39  
Web : www.microhandling.com

**MICROHANDLING** SGP Asia Pte Ltd  
#01-01 Tagore Industrial Building  
6 Tagore Drive, Singapore 787623  
Tel.: +65 6554 7234  
Fax.: +65 6554 0280  
Email : sales@microhandling.com.sg