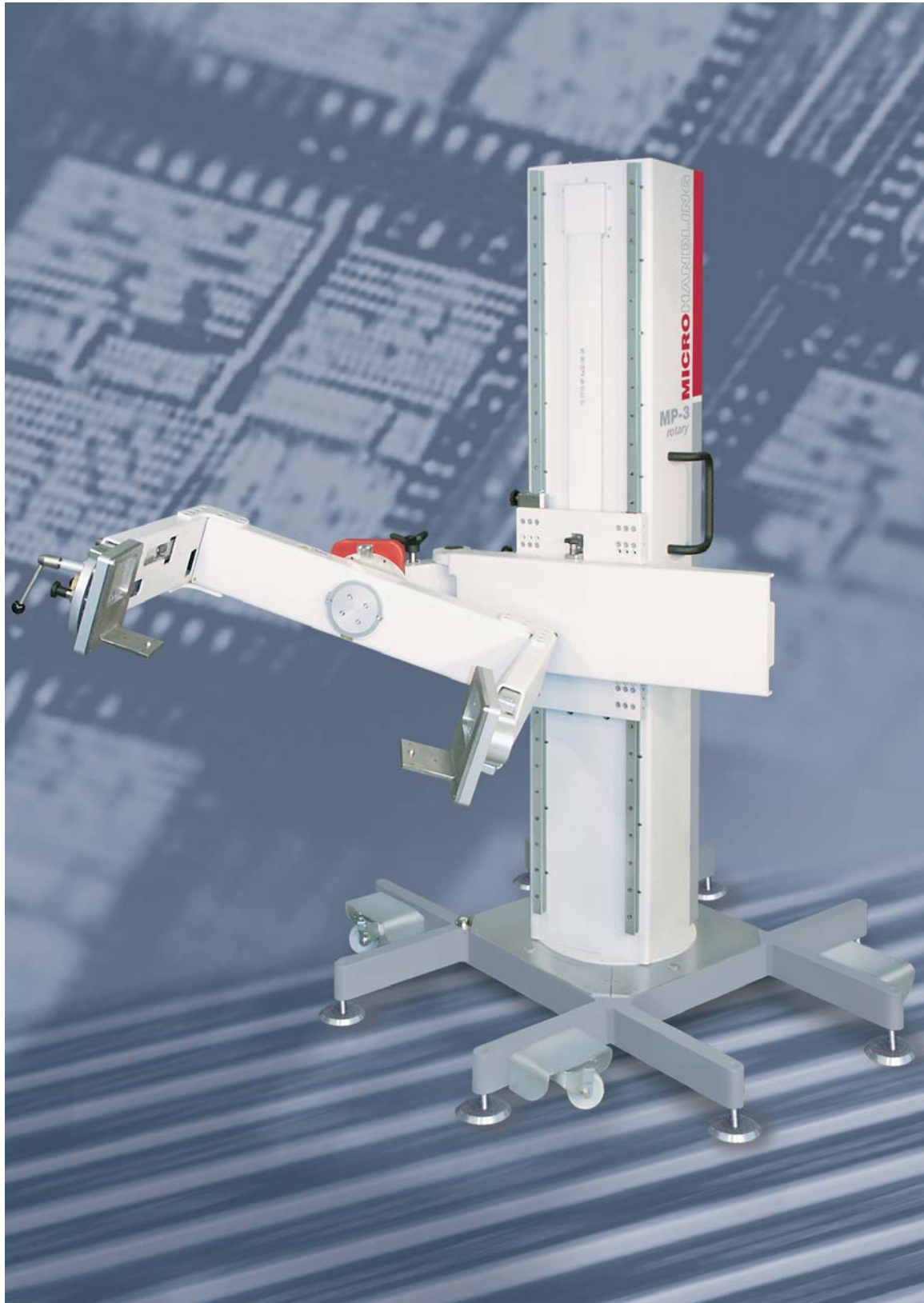




Universal test head manipulator **MP-3**  
rotary

we can **handle** it



*Ideal for test heads  
up to 200 kg (441 lbs)*

*Fast and convenient  
set-up*

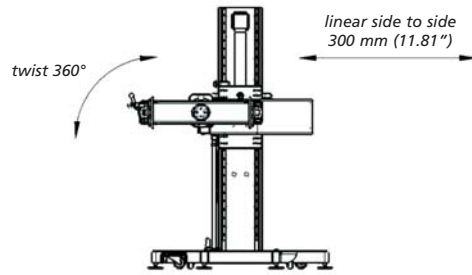
*Rotating column*

*Small footprint*

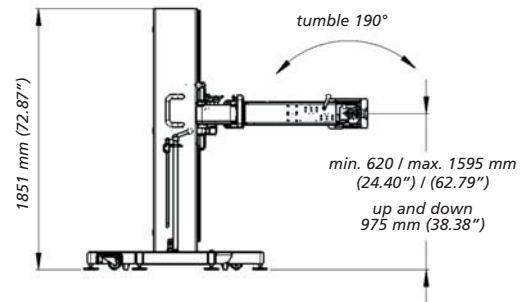
*Versatile linear side-  
to-side arm system*

## Universal test head manipulator MP-3 rotary

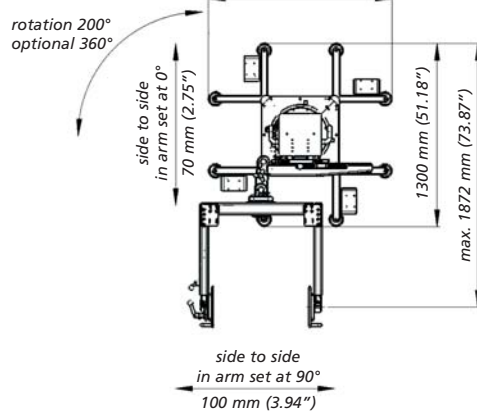
**Front view**



**Side view**



**Top view**



### Available test system configurations include:

Credence SZ M3660  
Eagle ETS-364  
Keithley S600  
KVD M2  
LTX Fusion CX

LTX Fusion MX  
LTX Fusion DX-20  
MVTS  
TI VLCT  
XPEQT XTA

### Technical Data:

#### Range of motions:

##### Linear motions:

Side to side linear	300 mm (11.81")
Side to side in arm set at 0°	70 mm (2.75")
Side to side in arm set at 90°	100 mm (3.94")
Vertical travel	975 mm (38.38")

##### Rotary motions:

Twist	360°
Tumble	190°
Swing (solumn rotation)	200° (360°)

##### Compliance:

Theta	+/- 2.5°
-------	----------

##### Setup adjustment:

Arm sag	+/- 5.0°
---------	----------

##### Weight:

Load capacity	200 kg (441 lbs)
Manipulator empty weight	350 kg (772 lbs)

##### Dimensions:

Footprint	1300 x 1300 mm (51.18" x 51.18")
Bring-in height	1829 mm (72.00")

Floor load diagrams and layout proposals on demand.



**MICROHANDLING**  
stands for over 20  
years of experience  
in the field of test  
handlers and test  
head positioners  
providing German  
quality worldwide.